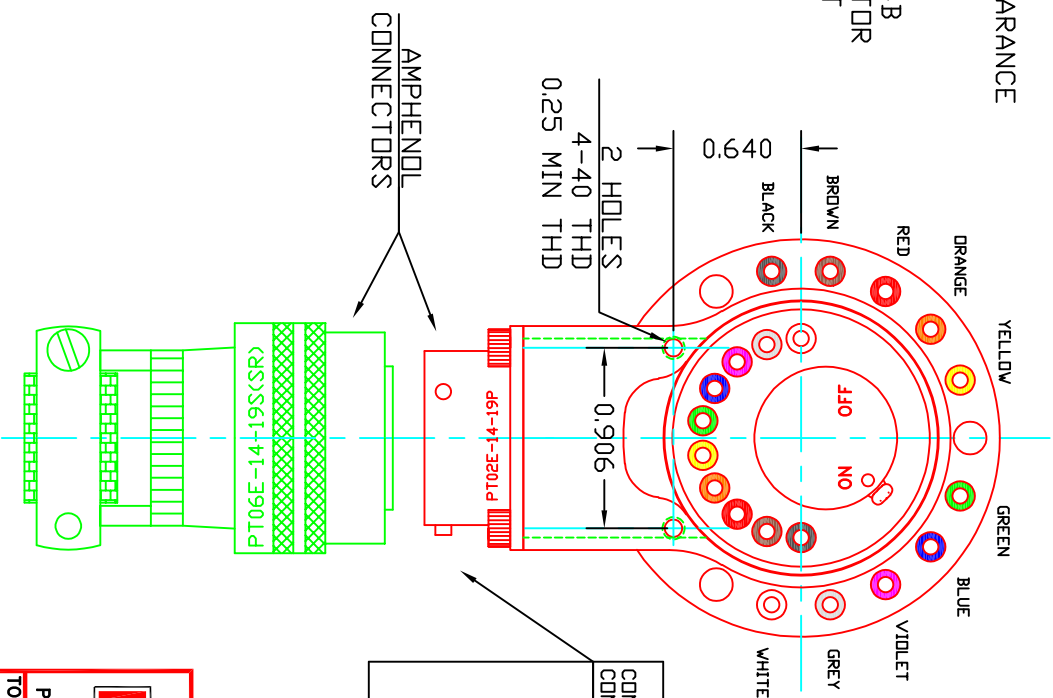
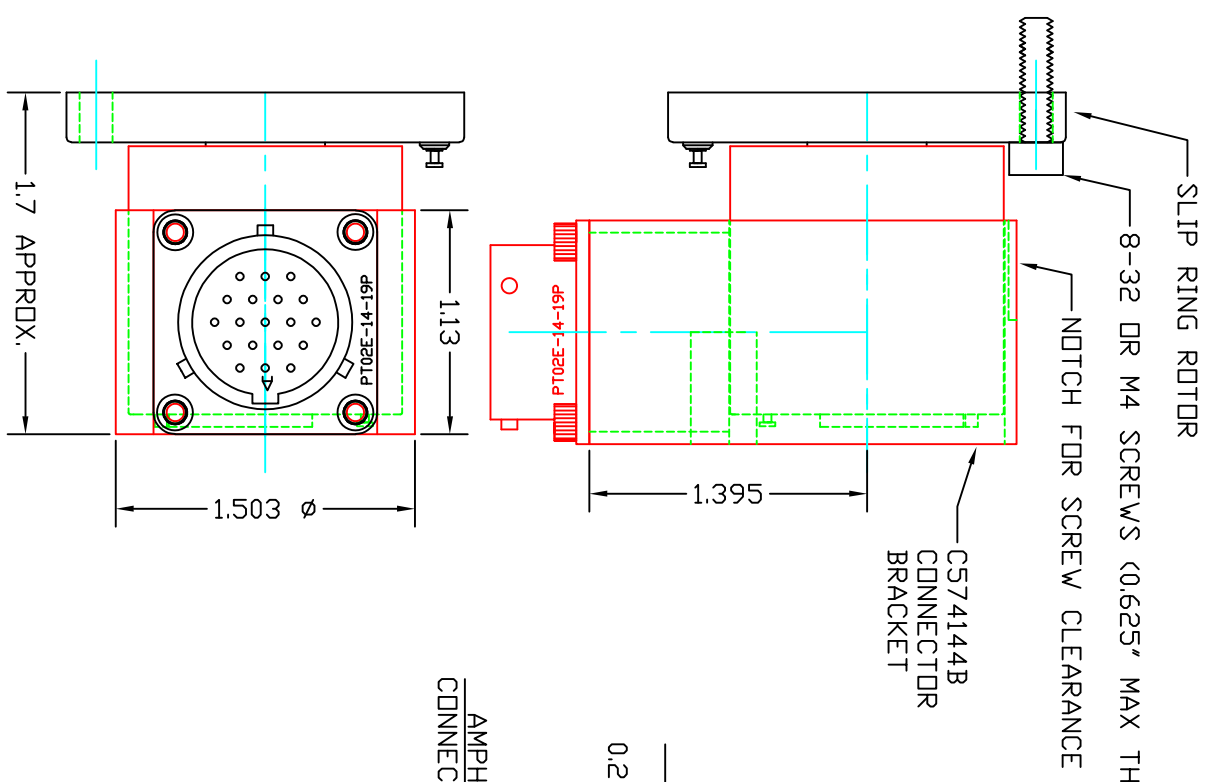


A9004210

DATE	BY	REVISION	LDC.
9-29-22 KDL ADD 4-40 THD HOLE INFORMATION			



CONNECTOR CONTACT	SOLDER TERMINAL COLOR
A	BLACK
B	BROWN
C	RED
D	ORANGE
E	YELLOW
F	GREEN
G	BLUE
H	VIOLET
J	GREY
K	WHITE

SR10M SLIP RING & C574144B CONNECTOR BRACKET & AMPHENOL PT02E-14-19P AND PT06E-14-19S(SR) CONNECTORS.

MICHIGAN SCIENTIFIC CORPORATION
 08500 ANCE ROAD
 CHARLEVOIX, MI 49720
 PHONE: (231)547-5511 FAX: (231)547-7070

TOLERANCES		DESIGNED BY: KDL	DATE: 11-27-19	SCALE: 1:1
..... ± ±	DRAWN BY: KDL	CHECKED	SHT OF SHTS: 1
.xxx ±	.xxx ±	ANGLES ±	SURFACE FINISH	SIZE
xx ±	xx ±	---	----	AH
---	---	RMS		

DRAWING NO.: C124006A
 SR10M + CONNECTOR BRACKET